

1. Installation Instructions

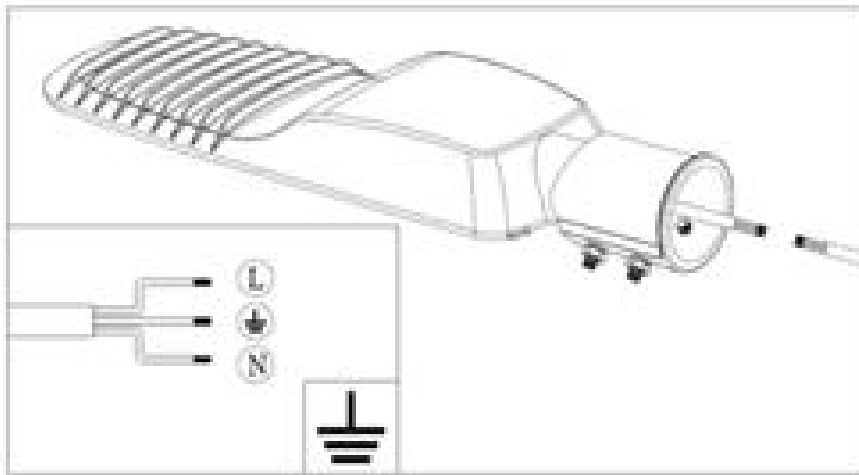
(1) Installation

① As shown in Figure 1,

Connect the power cord reserved for lamps and the pole cord with a terminal box.

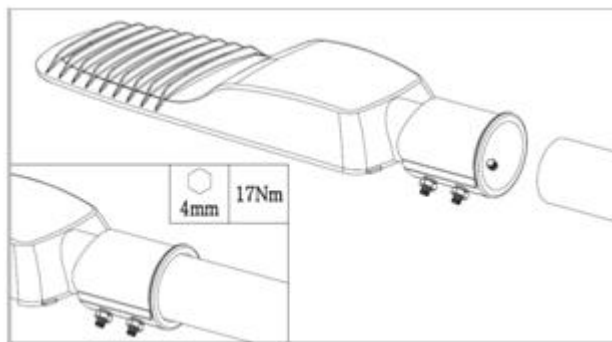
The polarity of the power cord are as follows:

L(Brown): Live Wire, N(Blue): Null wire, GND(Yellow green): Ground wire.



② As shown in Figure 2,

Take the lamp into the lamp arm, then tighten the four fastening bolts with 17Nm.

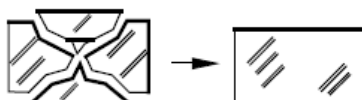


2. Maintenance

- Please clean and maintain the product time to time for long time and more safe use.
- Please use soft cloth with soap water to clean the product, then dry it with soft cloth.
- Please don't use chemical to clean the product, such as alcohol, petrol, otherwise, will corrode the product.

3. Warning

- The lamp must be installed only after completion of electricity.
- The lamp should not be used in sealed environment.
- Don't mask the lamp.
- Lamps can not be directly installed on the surface of ordinary combustibile materials.
- Please make sure the power is turned off before maintenance.
- If the external flexible cable or cord of this luminaire is damaged, it shall be exclusively replaced by the manufacturer or his service agent or a similar qualified person in order to avoid a hazard.
- Replace any cracked protective shield.



- For non-user replaceable light sources:

The light source contained in this luminaire shall only be replaced by the manufacturer or his service agent or a similar qualified person.

Caution, risk of electric shock.



- Terminal block not included.